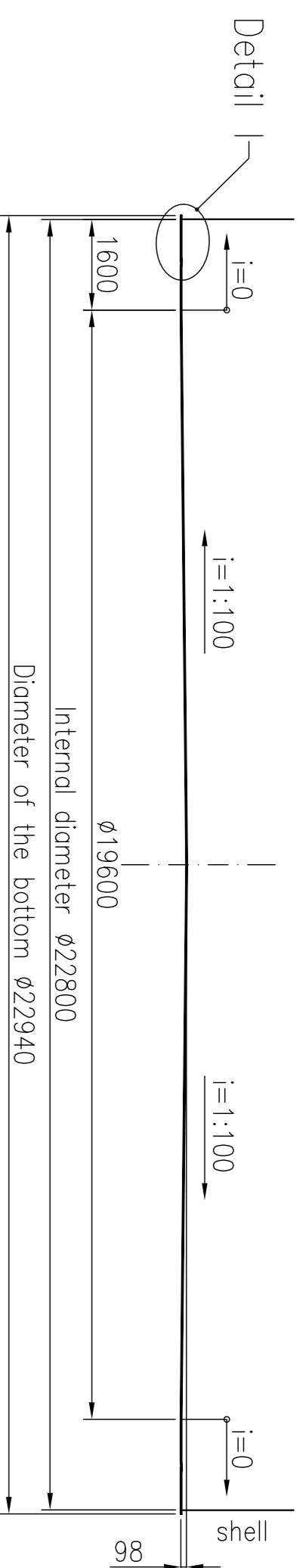
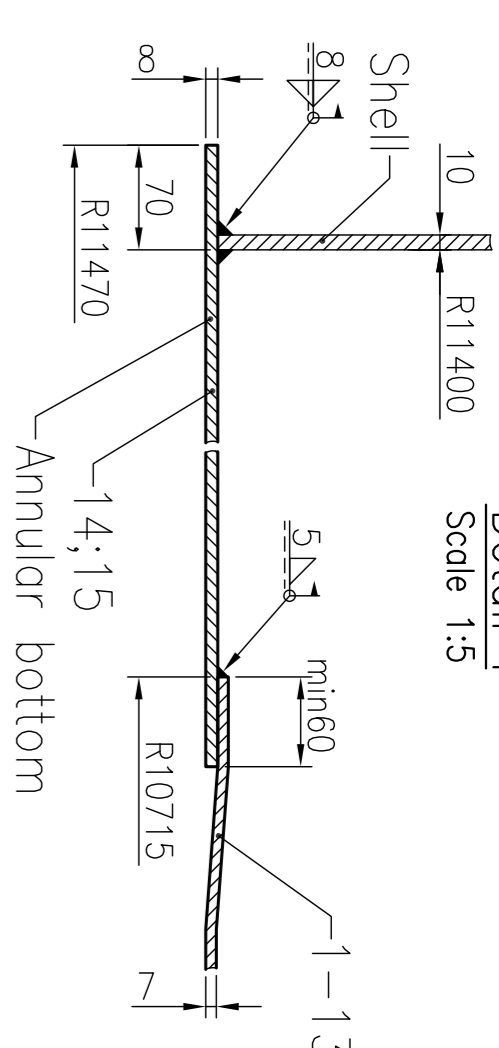


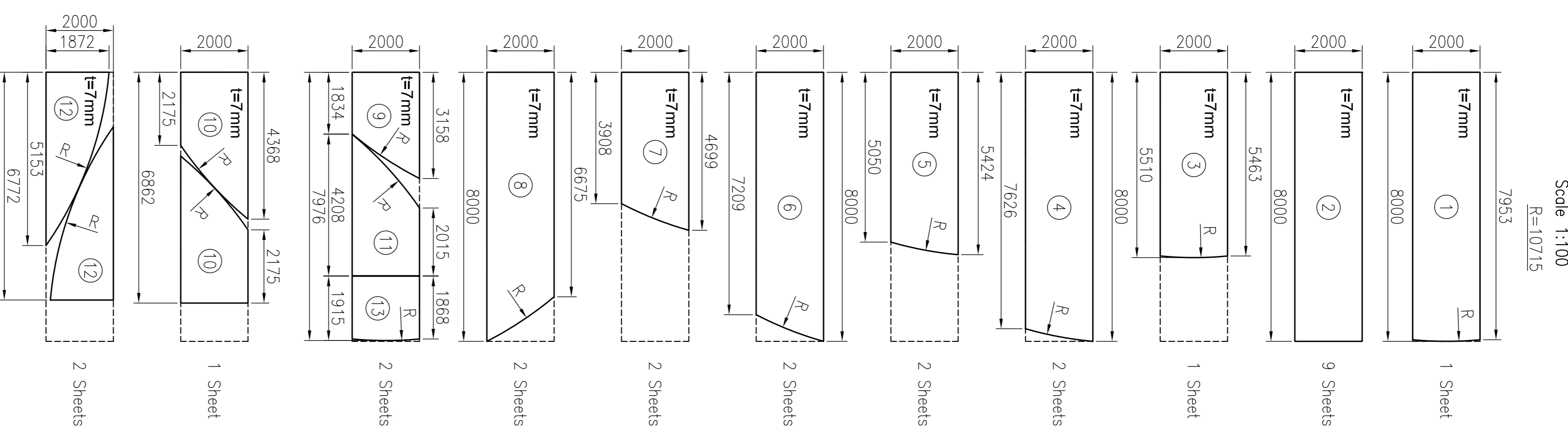
Section A-A
Scale 1:100



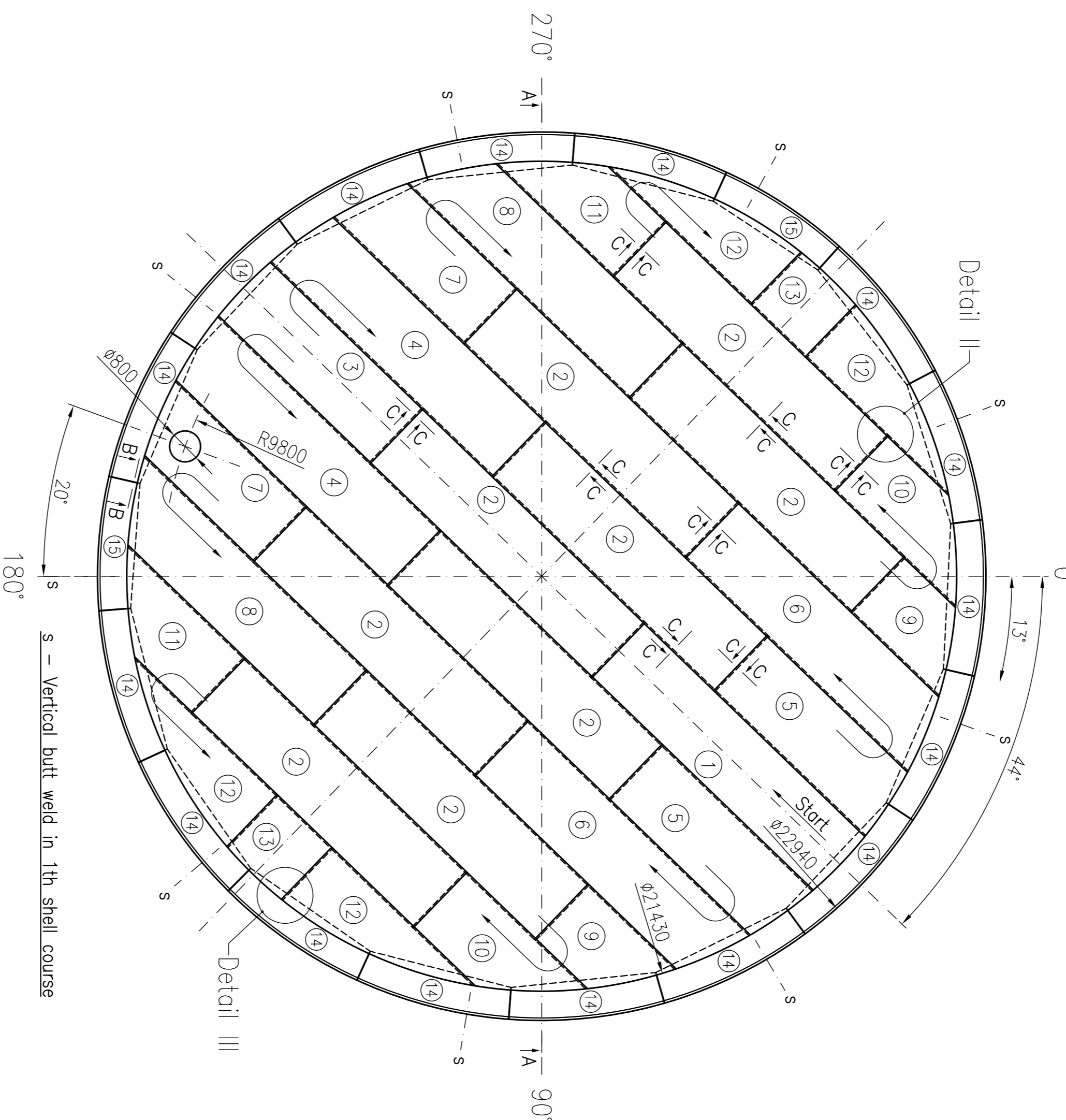
Detail I
Scale 1:5



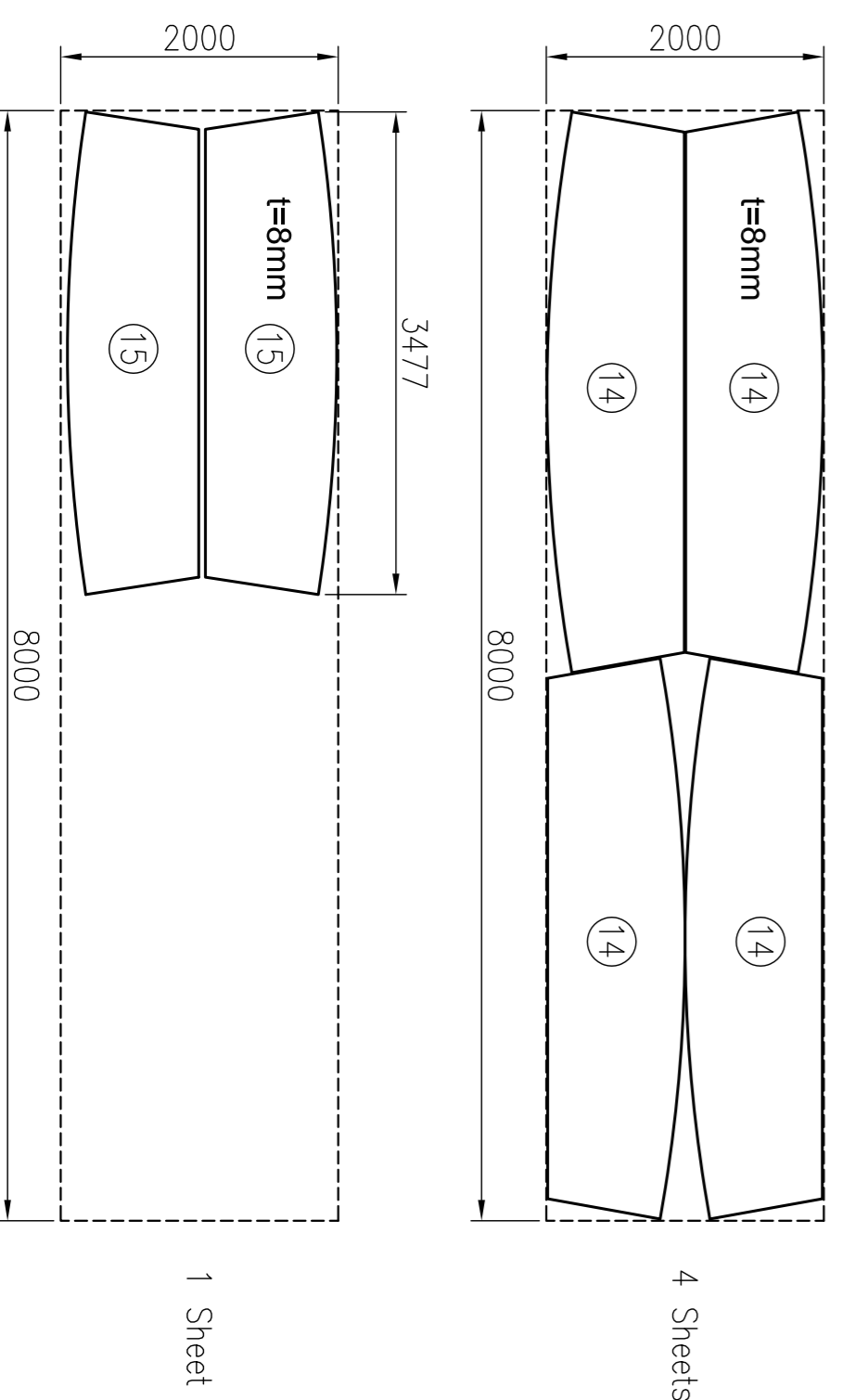
Sheets of central bottom
Scale 1:100



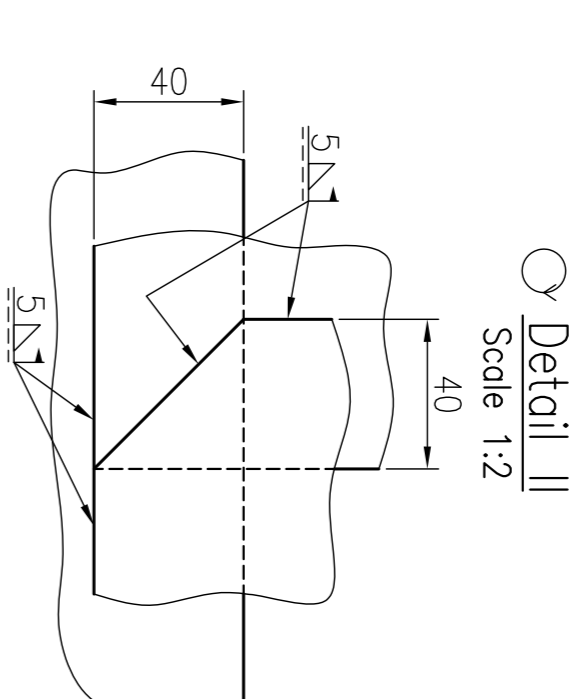
Plan of bottom
Scale 1:100



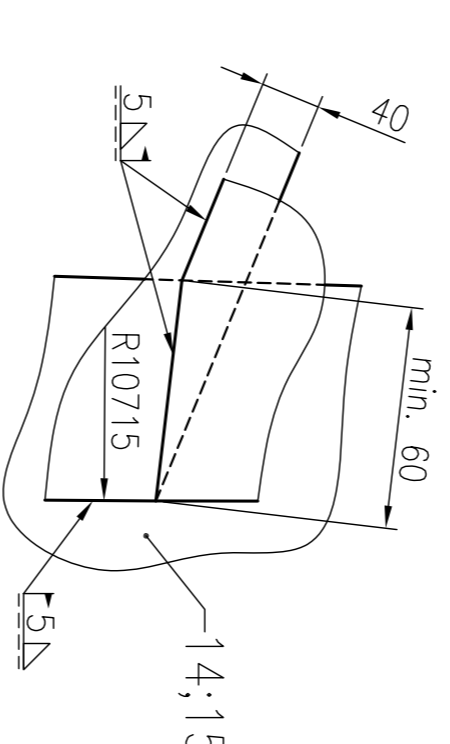
Sheets of annular bottom
Scale 1:50



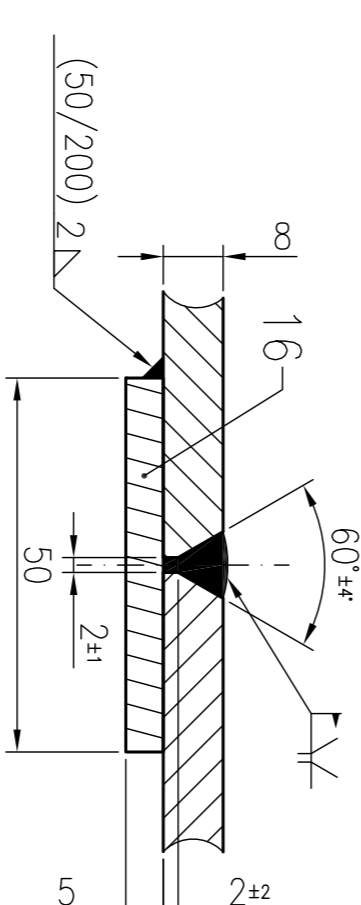
Detail II
Scale 1:2



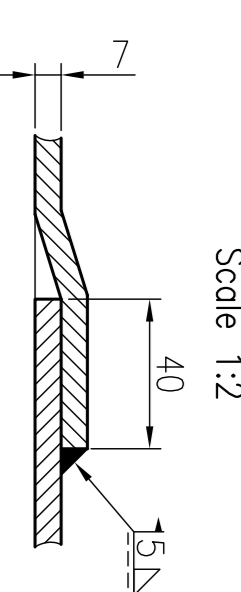
Detail III
Scale 1:5



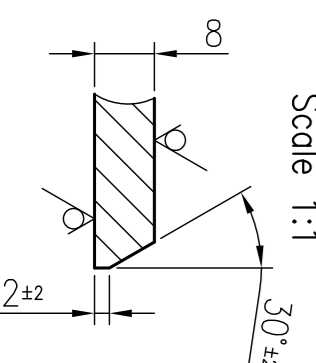
Section B-B
Scale 1:1



Section C-C
Scale 1:2



Section d-d
Scale 1:1



- Remarks:
- All dimensions without specially noted are in [mm].
 - Used steels - according to EN 10025.
 - Prefabrication and erection of steel structure - according to EN 14015:2005.
 - Welds - according to EN 22553.
 - Digits in welds shows their throat thickness.
 - Control of welds - according to EN 14015:2005.
 - All butt welds should be done with full penetration and fusion. They are on 100% control.

University of Architecture, Civil Engineering and Geodesy	
Department "Steel, timber and plastic structures"	
Project	Aboveground Steel Tank
Title	BOTTOM of TANK
Student	
Lecturer	
Sheet	AI
Scale	1:100
Data	
Drawing	