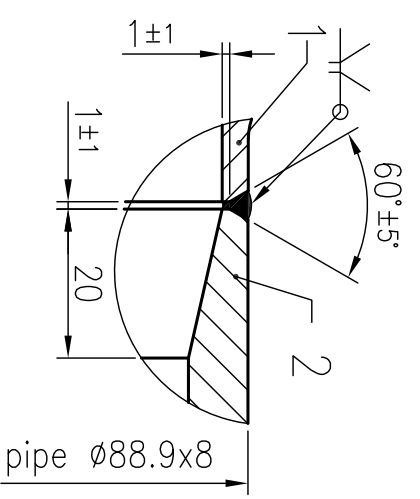
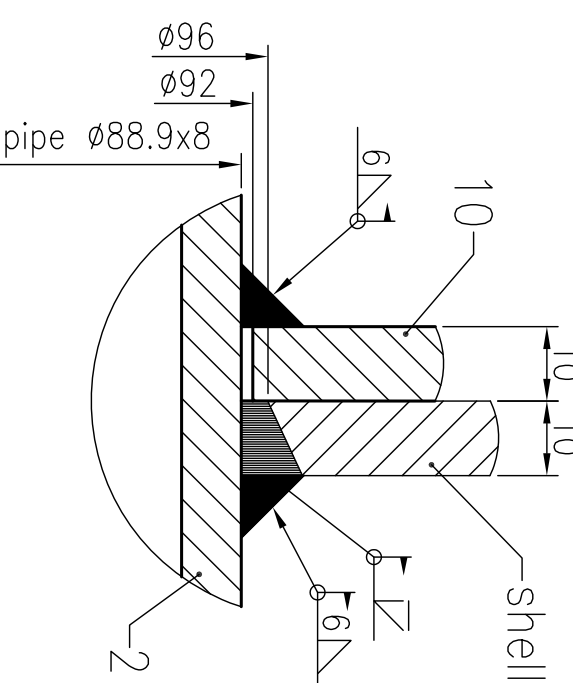


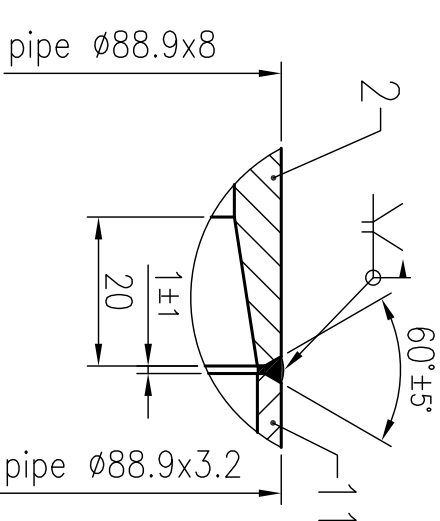
Detail I
Scale 1:1



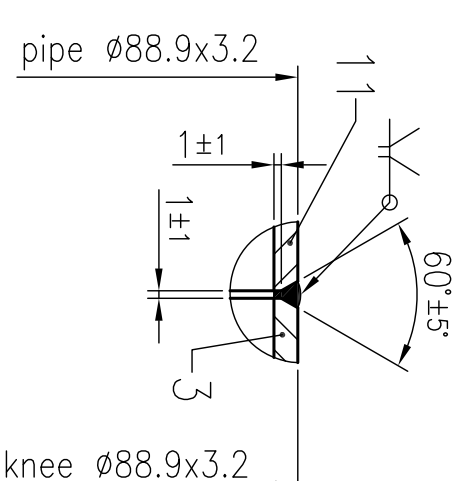
Detail II
Scale 1:1



Detail III
Scale 1:1



Detail IV
Scale 1:1



- Remarks:
1. All dimensions without specially noted are in [mm].
 2. Used steels - according to EN 10025.
 3. Prefabrication and erection of steel structure - according to EN 14015:2005.
 4. Welds - according to EN 22553.
 5. Digits in welds shows their throat thickness.
 6. Control of welds - according to EN 14015:2005.
 7. All butt welds should be done with full penetration and fusion. They are on 100 % controlled.