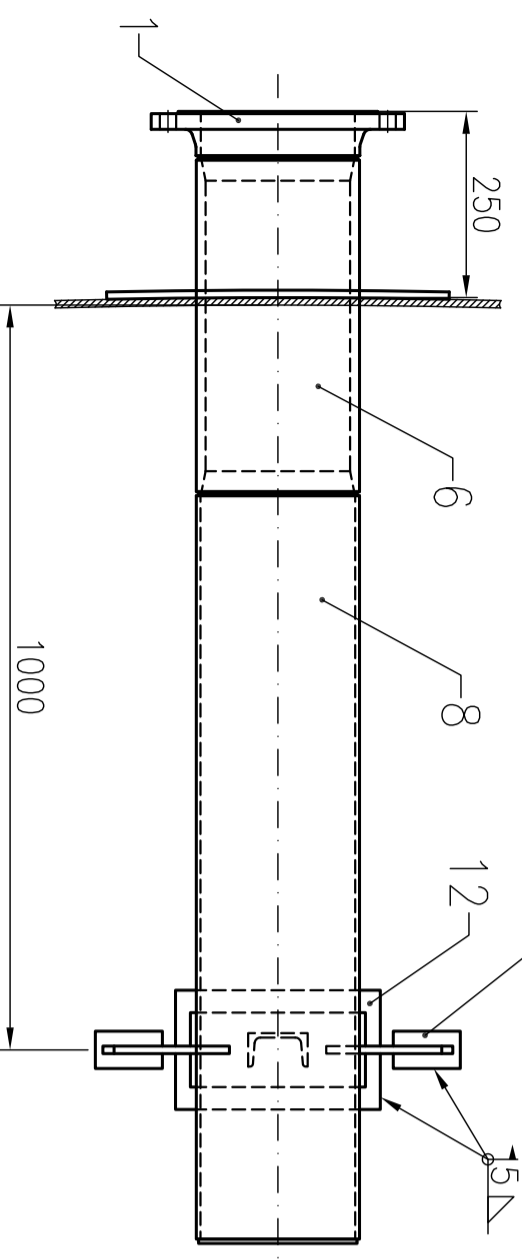
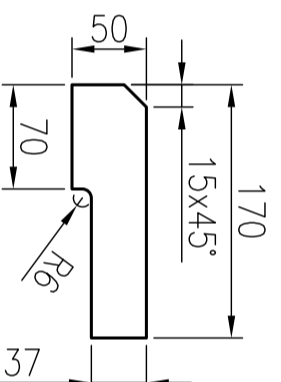


ПОРНЕД ОТГОРЕ

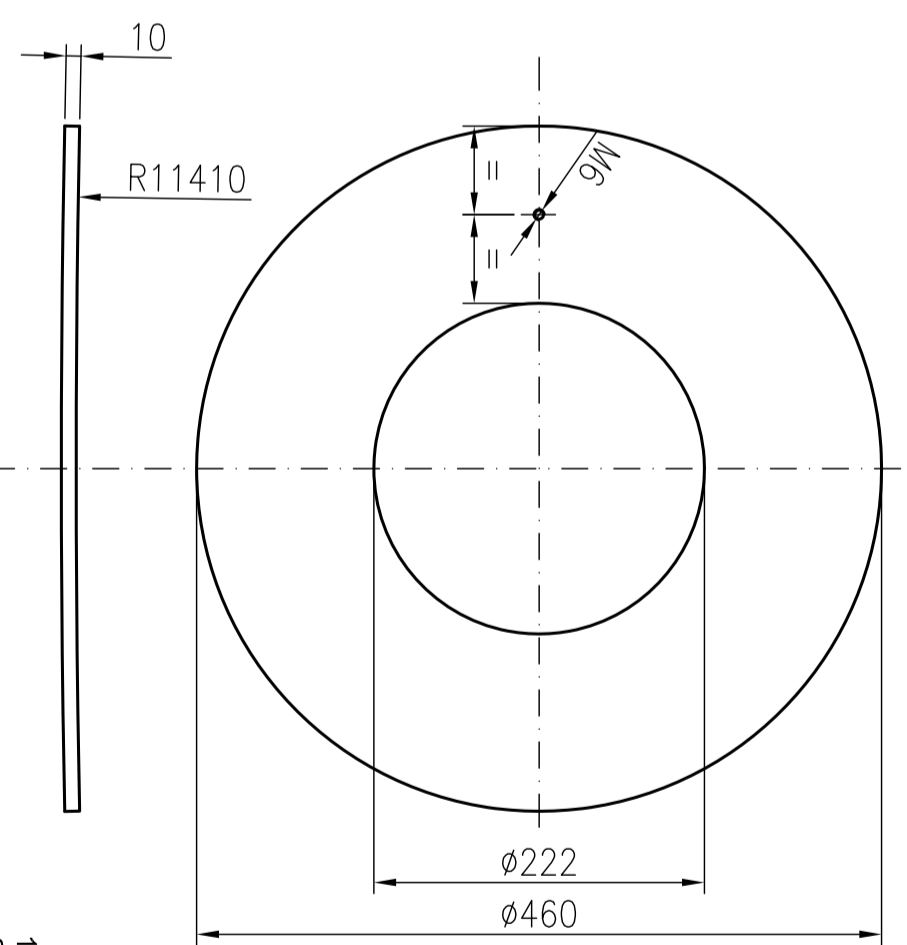
Scale 1:10



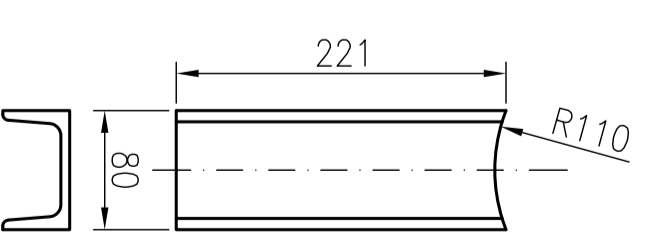
Element 14



Element 7



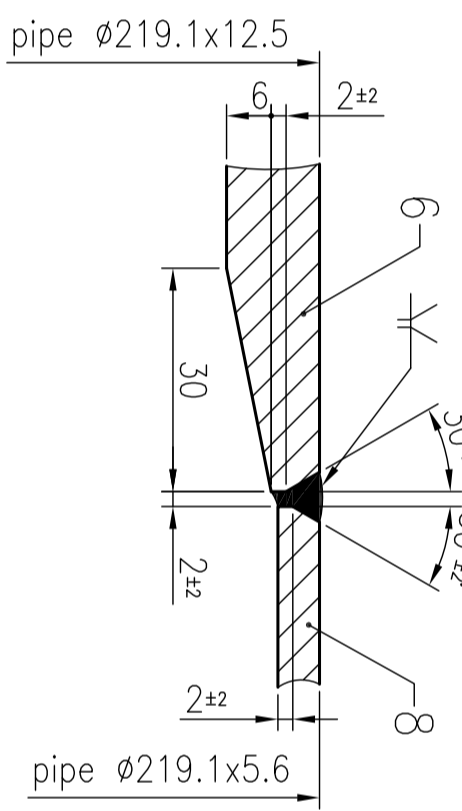
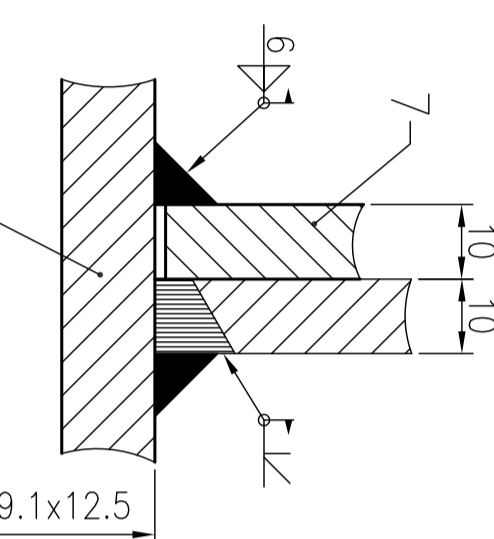
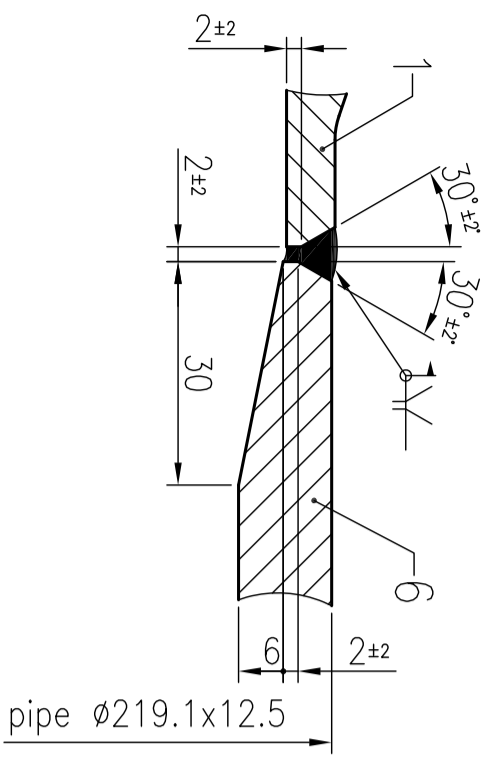
Element 10



Detail I

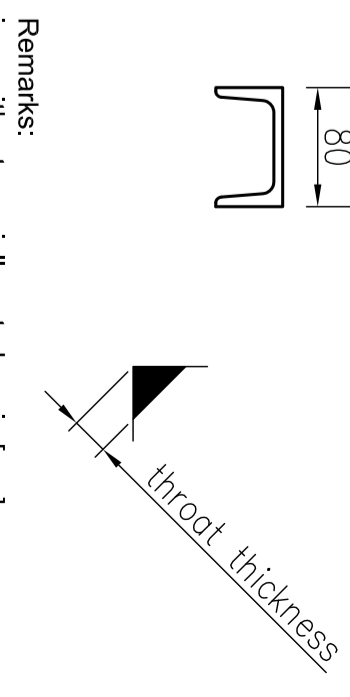
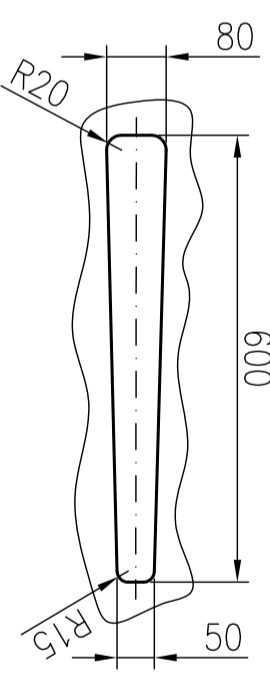
Detail II

Detail III



View B

Scale 1:10



- Remarks:
1. All dimensions without specially noted are in [mm].
 2. Used steels - according to EJC EN 10025.
 3. Prefabrication and erection of steel structure - according to EJC EN 14015:2005.
 4. Welds - according to EJC EN 22553.
 5. Digits in welds shows their throat thickness.
 6. Control of welds - according to EJC EN 14015:2005.
 7. All butt welds should be done with full penetration and fusion. They are on 100 % controlled.

		Department "Steel, timber and plastic structures"	
Project	Aboveground Steel Tank	Sheet	A2
Title	INLET NOZZLE DN200 PN16	Scale	1:5
Student		Data	
Lecturer		Drawing	