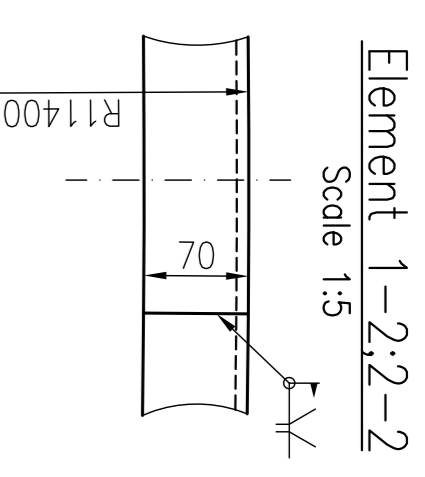
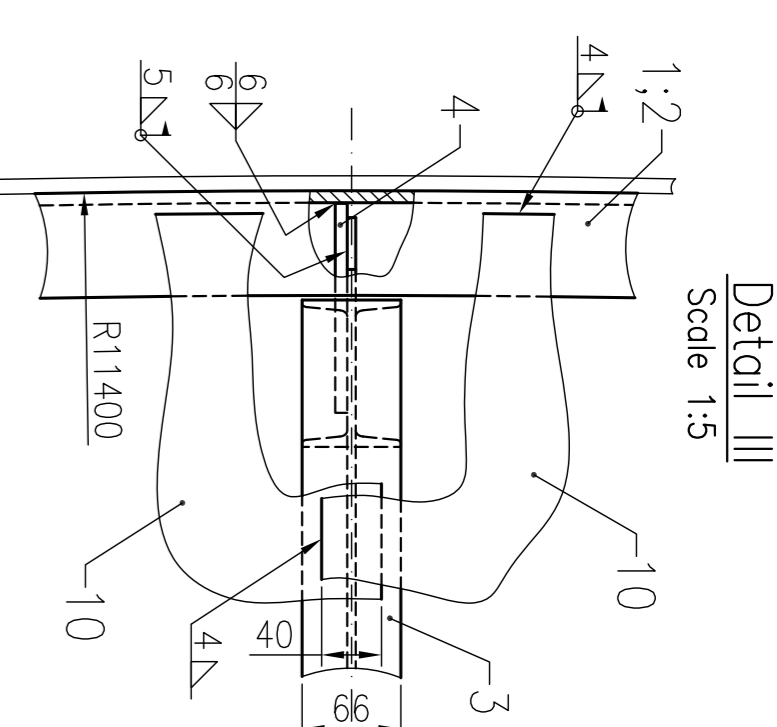
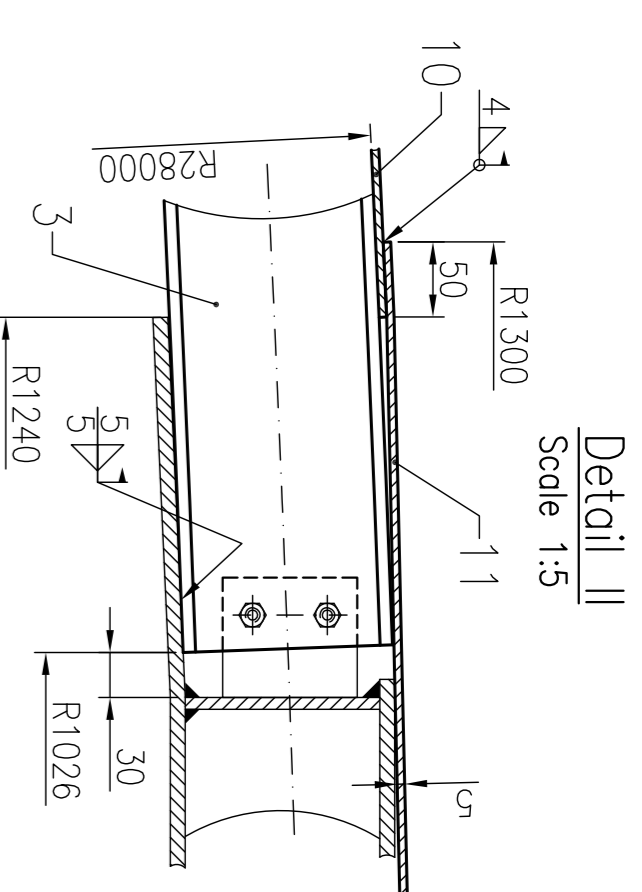
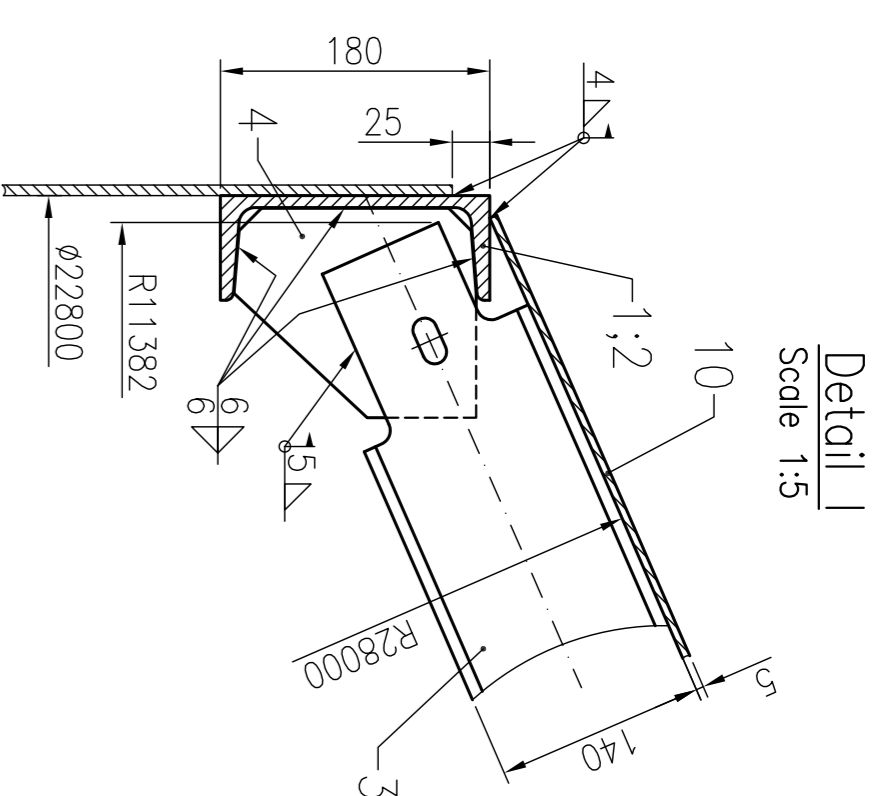
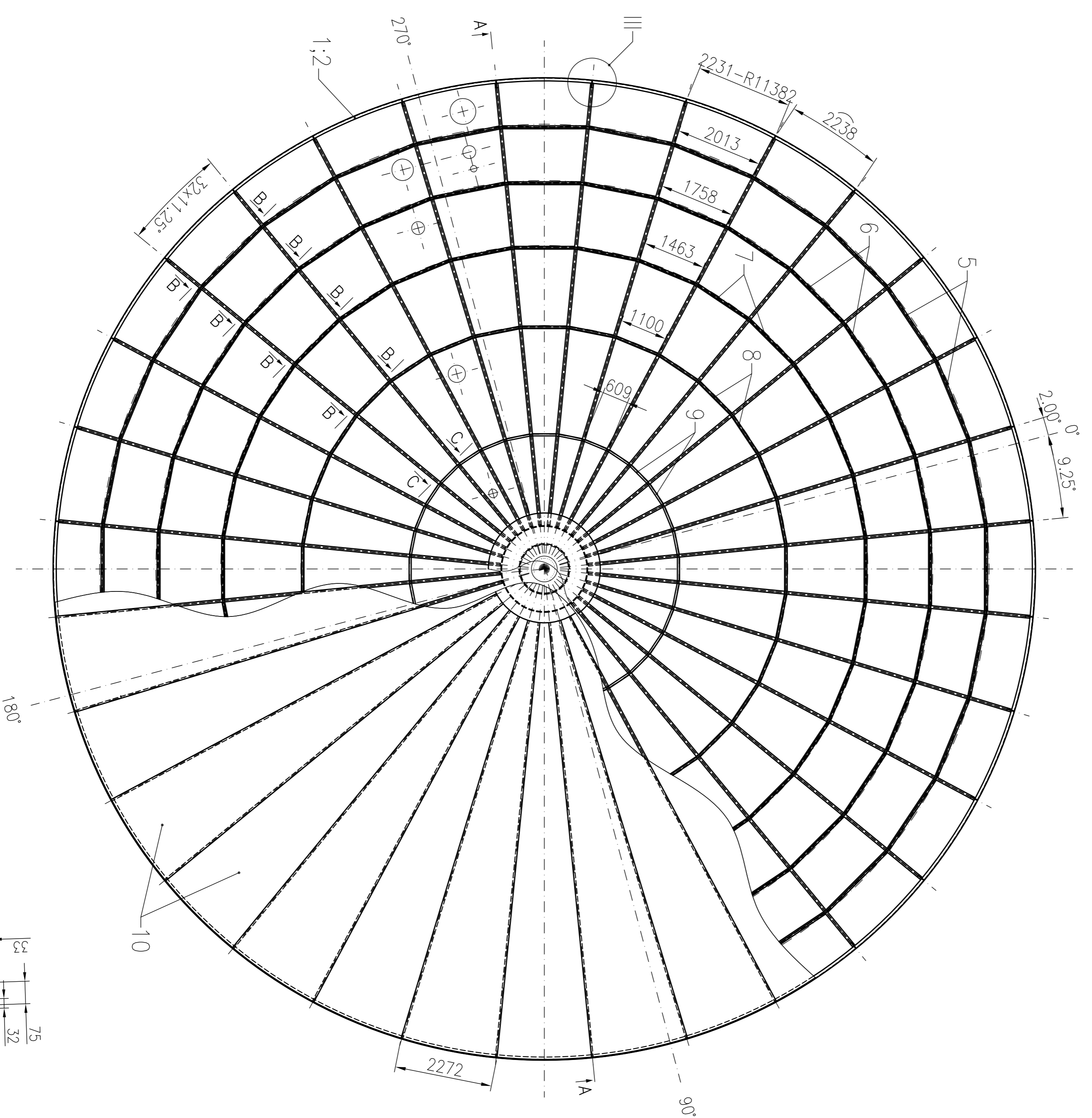
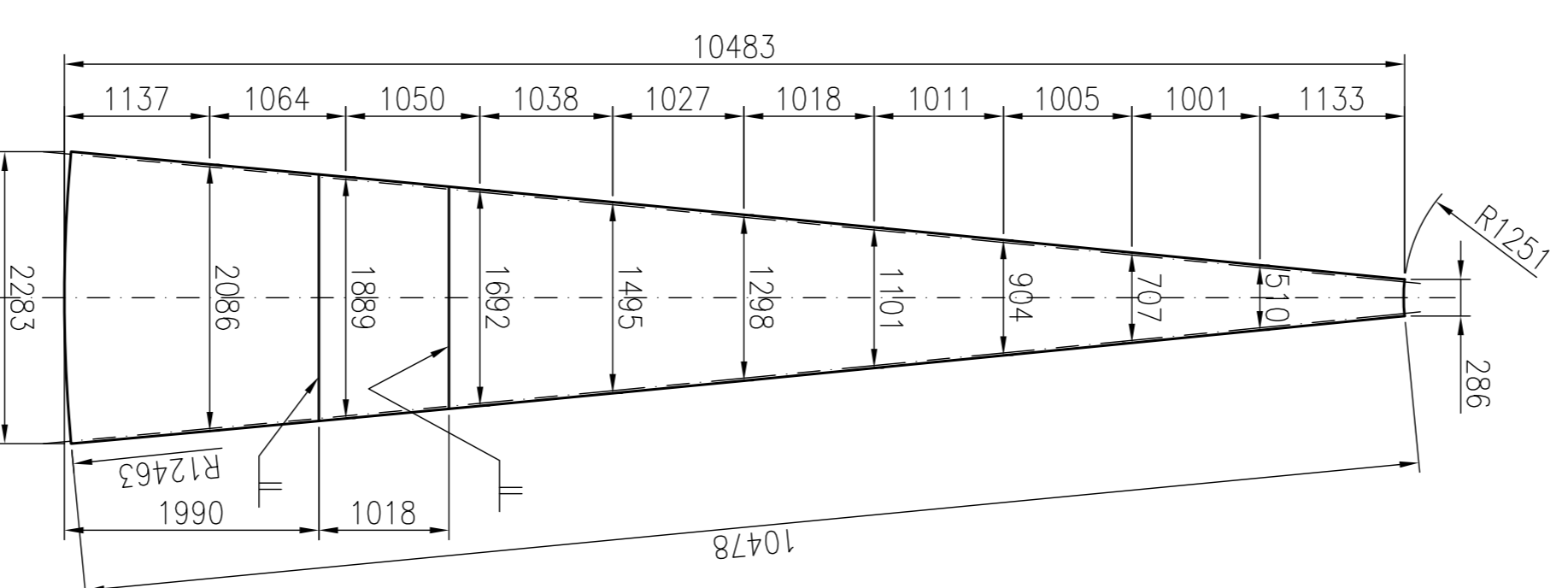


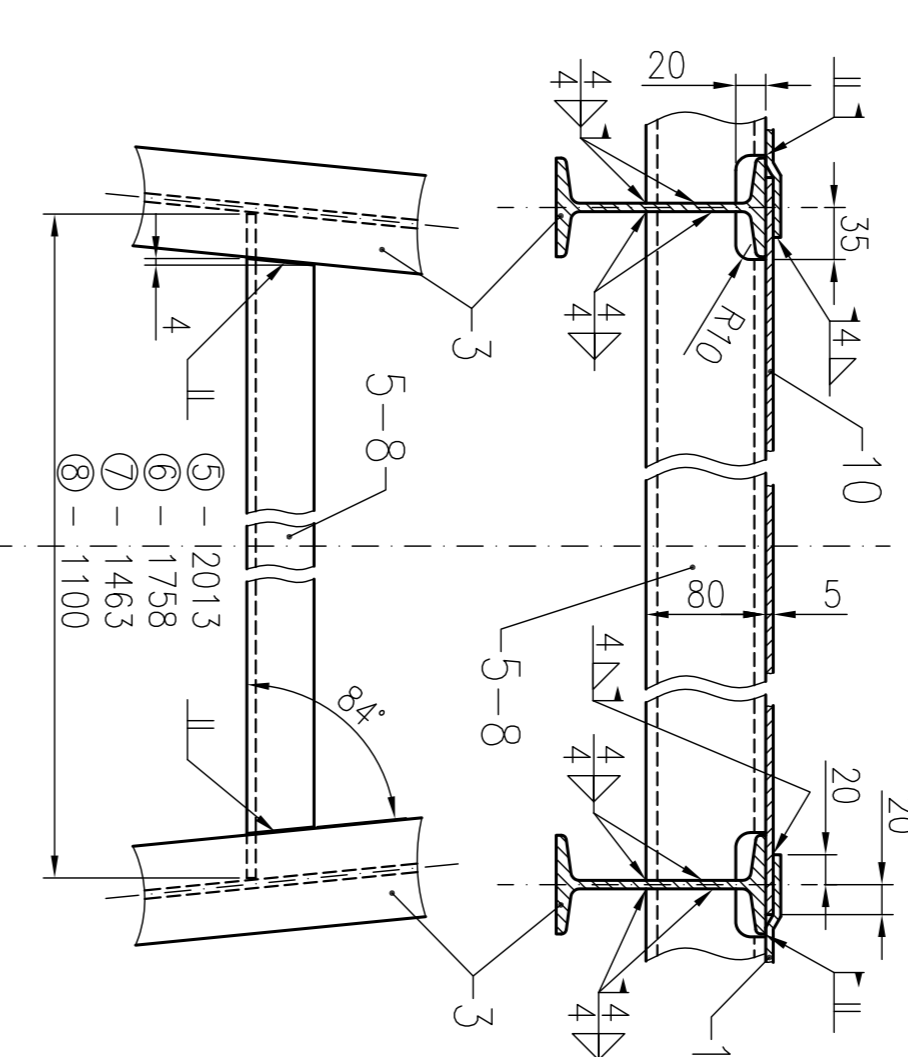
Top view of roof
Scale 1:70



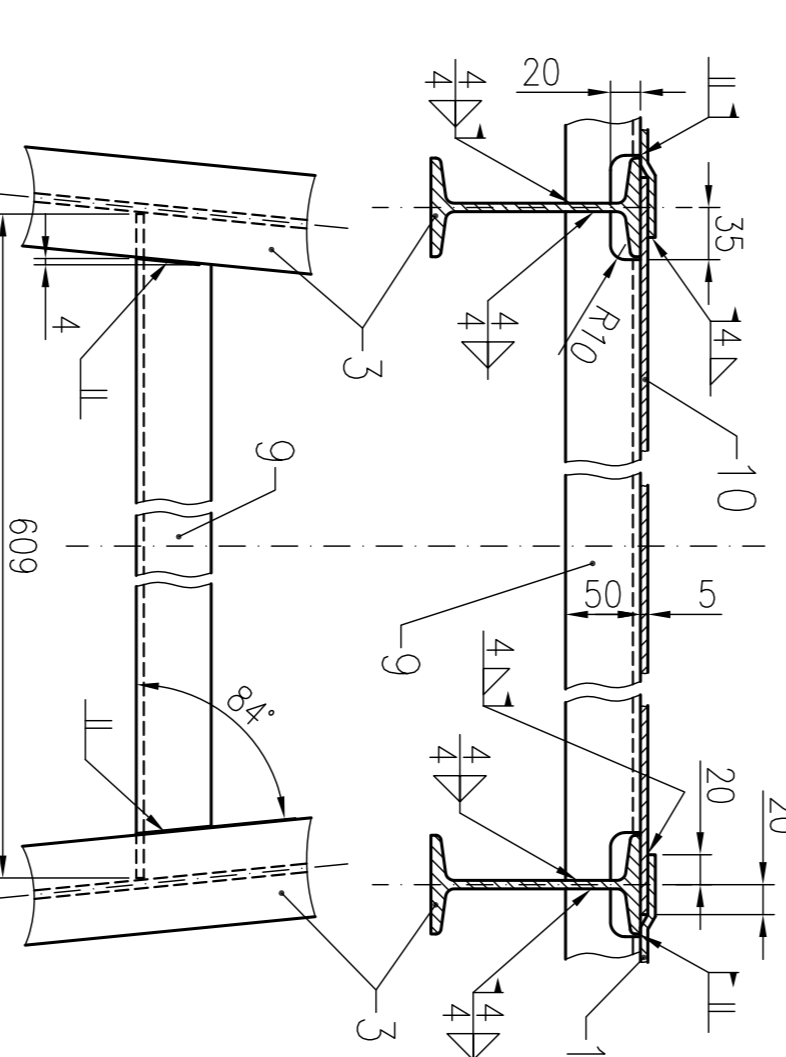
Element 10
Scale 1:50



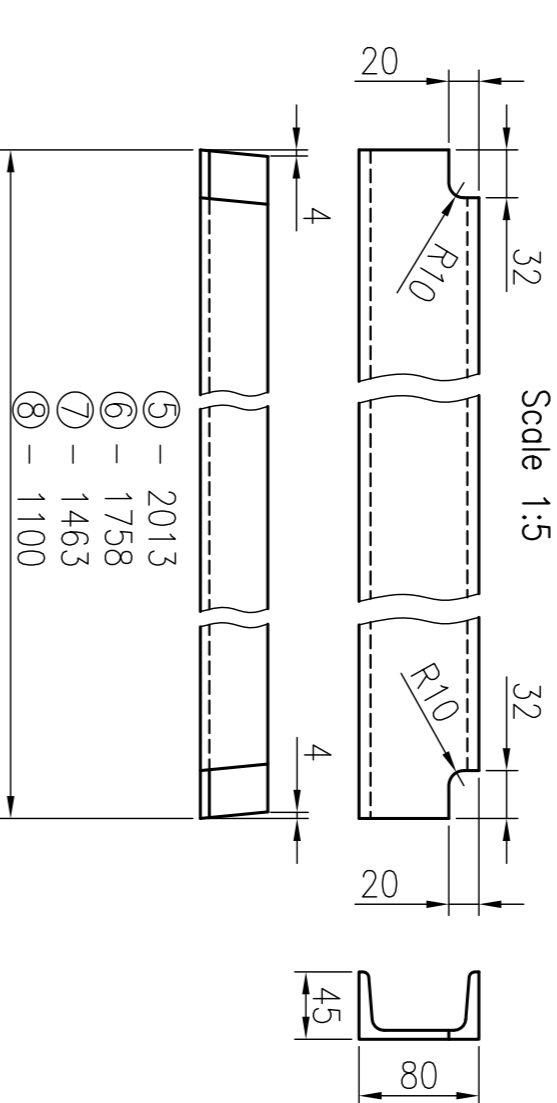
Section B-B
Scale 1:5



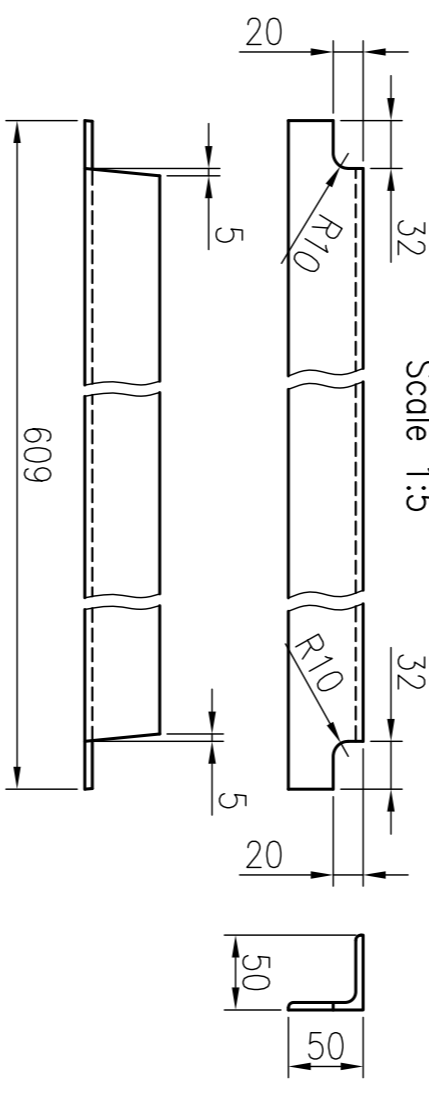
Section C-C
Scale 1:5



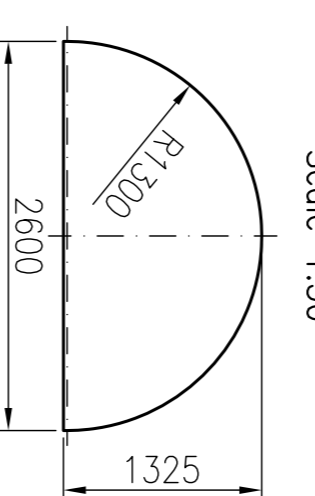
Element 5,6,7,8
Scale 1:5



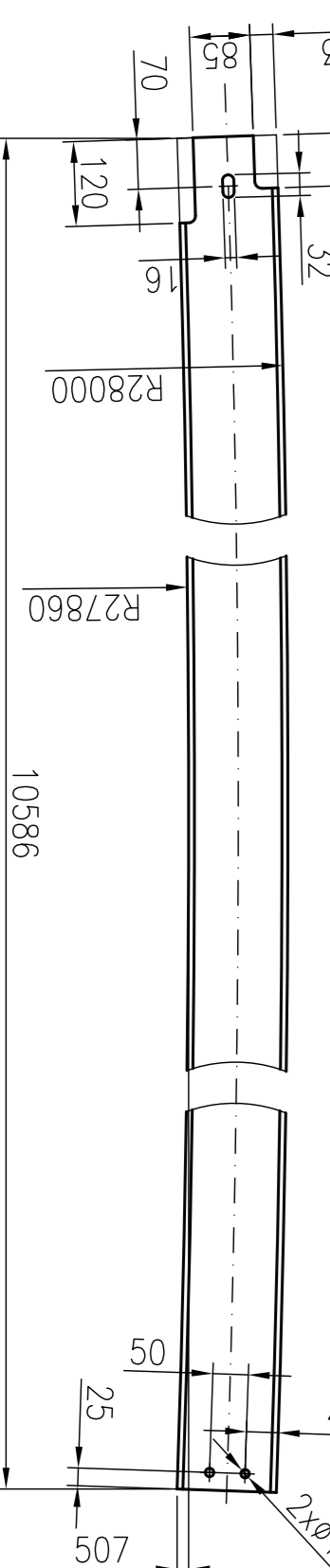
Element 9
Scale 1:5



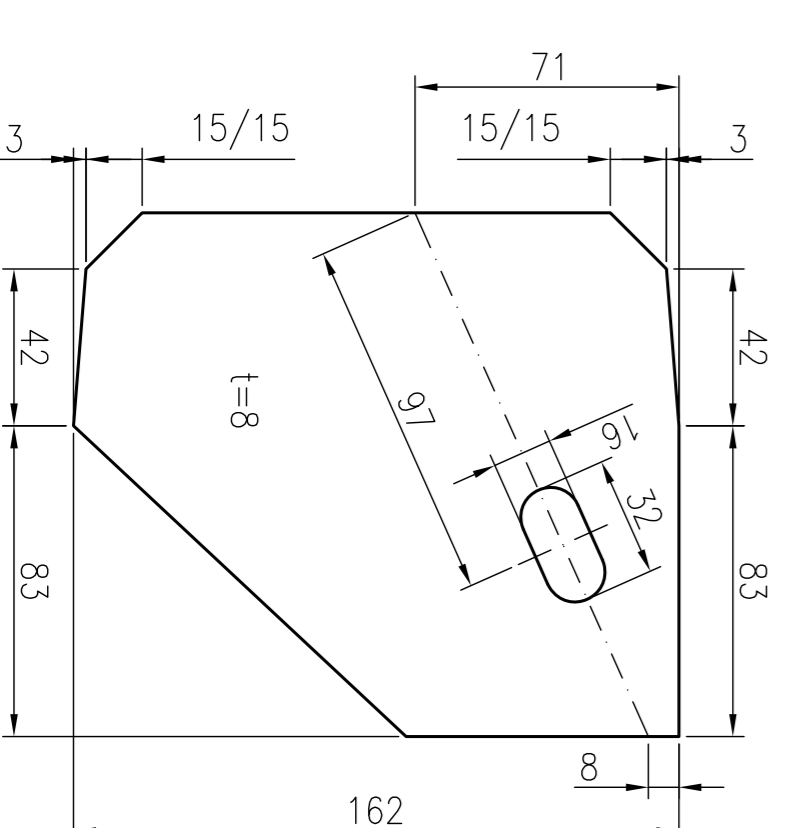
Element 11
Scale 1:50



Element 3
Scale 1:10



Element 4
Scale 1:2



- Remarks:**
1. All dimensions without specially noted are in [mm].
 2. Used steels - according to EJC EN 10025.
 3. Prefabrication and erection of steel structure - according to EJC EN 14015:2005.
 4. Welds - according to EJC EN 22553.
 5. Digits in welds shows their throat thickness.
 6. Control of welds - according to EJC EN 14015:2005.
 7. All butt welds should be done with full penetration and fusion. They are on 100 % controlled.

