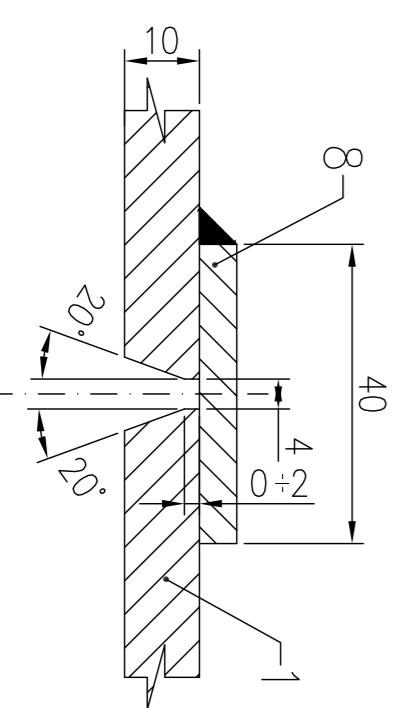
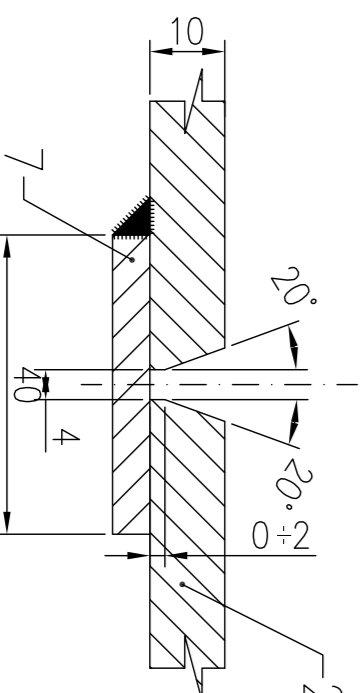


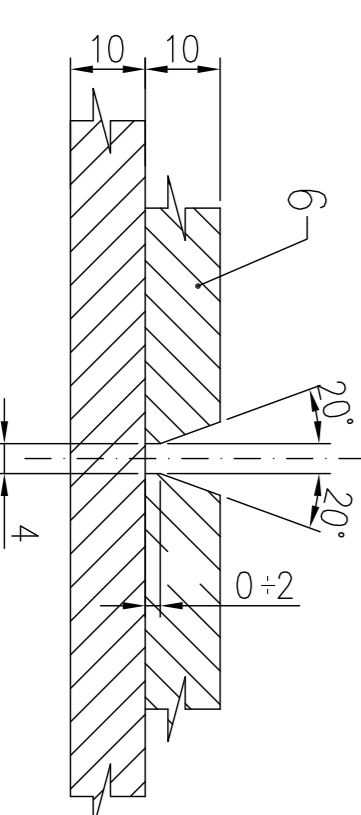
Section 1-1
Scale 1:1



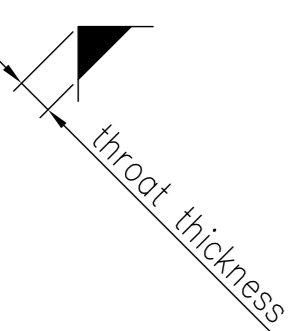
Section 2-2
Scale 1:1



Section 3-3
Scale 1:1



Remarks:
1. All dimensions without specially noted are in [mm].
2. Used steels - according to EN EN 10025.
3. Prefabrication and erection of steel structure - according to EN EN 14015:2005.
4. Welds - according to EN EN 22553.
5. Digits in welds shows their throat thickness.
6. Control of welds - according to EN EN 14015:2005.
7. All butt welds should be done with full penetration and fusion. They are on 100 % controlled.



University of Architecture, Civil Engineering and Geodesy Department "Steel, timber and plastic structures"			
Project	Aboveground Steel Tank	Sheet	A1
Title	Central Ring of ROOF	Scale	1:10
Student		Data	
Lecturer		Drawing	